

# W360 Interior Landscape / Aquascape Light

## 80W LED / Wall Wash



- Plant / Coral Focused Light Spectrum
- High-Intensity Point Source LED
- Low-Profile
- DMX Controllable
- Also Available with Other Optics

### ORDERING GUIDE

CXW360W -  -  -  -  -

#### Spectrum

**AMZ** Amazon Sun (4000 - 6500K)  
**TB** Tuna Blue (10000 - 20000K)

#### Finish

**WH** White  
**BK** Black

#### Mount

**TOX** w/ O-type DMX Track Adapter  
**TON** w/ O-type Non-DMX Track Adapter  
**CLP** w/ Clamp Mount  
**MPT** w/ Monopoint Adapter Mount (PSX+120V only)  
**TG** w/ G-type Track Adapter  
**TEX** w/ E-type DMX Track Adapter Legacy product

#### Power Supply & Control

**PS** Power Supply



**PSX** Power Supply w/ DMX  
 (compatible with TOX/MPT mount)



#### Plug/Connection

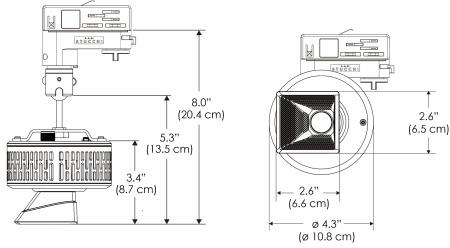
**US** US 120V  
**EU** EU 220V

### SPECIFICATIONS

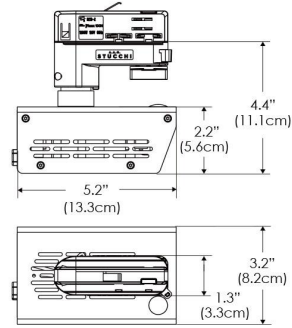
Beam Angle	Wall Wash
Spectrum Type	AMZ : Plant Flourish & Growth TB : Coral Health & Growth
Control	Intensity (0% - 100%), CCT
LED Source	DiCon Dense Matrix LED
Power Draw	80W max
AC Input Voltage	100 - 240V AC, 60Hz
Cooling	Fan Cooled
Operating Temperature	32 - 104°F (0 - 40°C)
Fixture Weight	1.0lb (~0.4kg)
Power Supply Weight	1.0lb (~0.4kg)

## MECHANICAL FIGURES

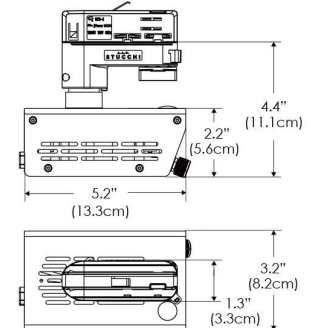
**W360W-TOX/TON**



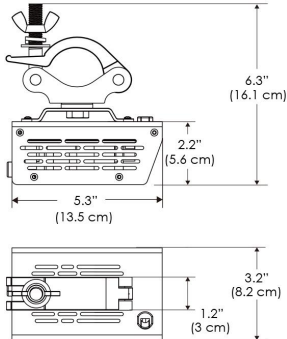
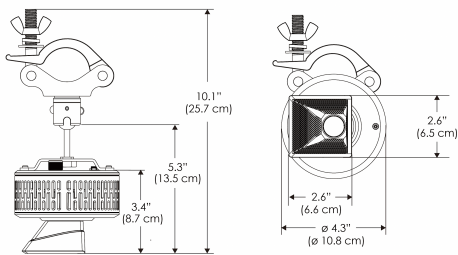
**PS**



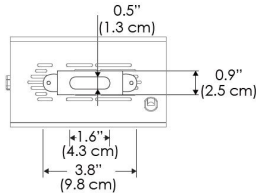
**PSX**



**W360W-CLP**



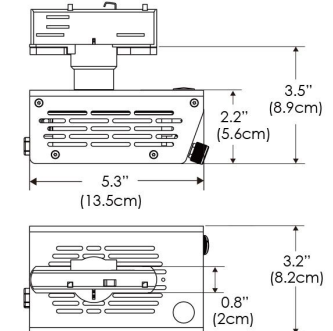
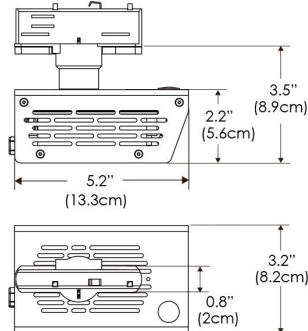
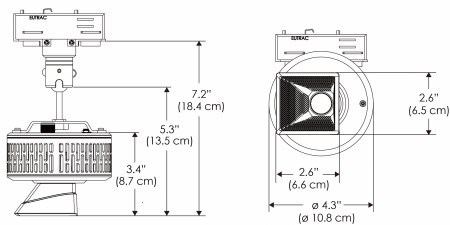
**Mounting Bracket Dimensions ALL-CLP**



\*All -CLP configuration models come with standard DC cables of 6 inches and AC cables of 10 ft.

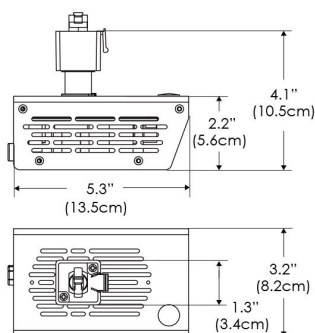
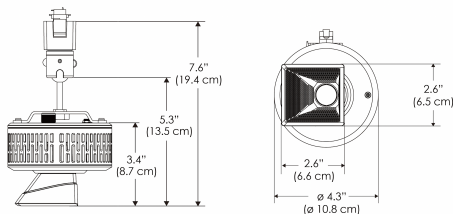
**W360W-TEX**

Legacy product



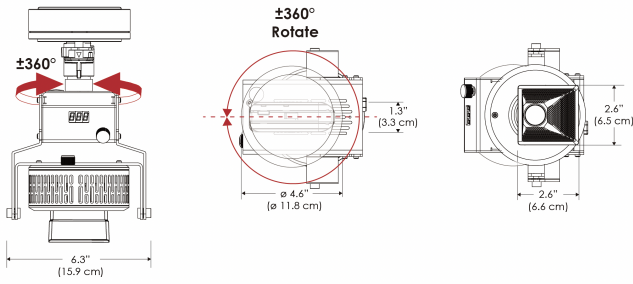
**W360W-TG**

Legacy product



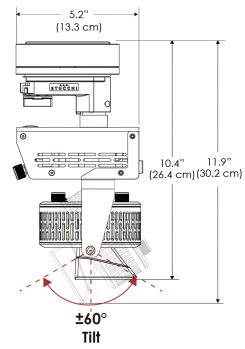
**MECHANICAL FIGURES**

**W360W-MPT**



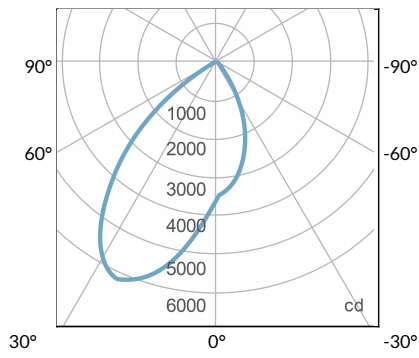
**PSX**

US

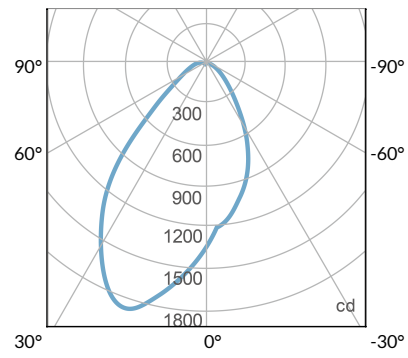


**PHOTOMETRIC DATA**

**AMZ**



**TB**



**DMX FOOTPRINT**

Amazon Sun		
Channel	1	Intensity
	2	CCT (4000-6500k)

Tuna Blue		
Channel	1	Intensity
	2	CCT (10000-20000k)
	3	Violet
	4	Red
	5	Green